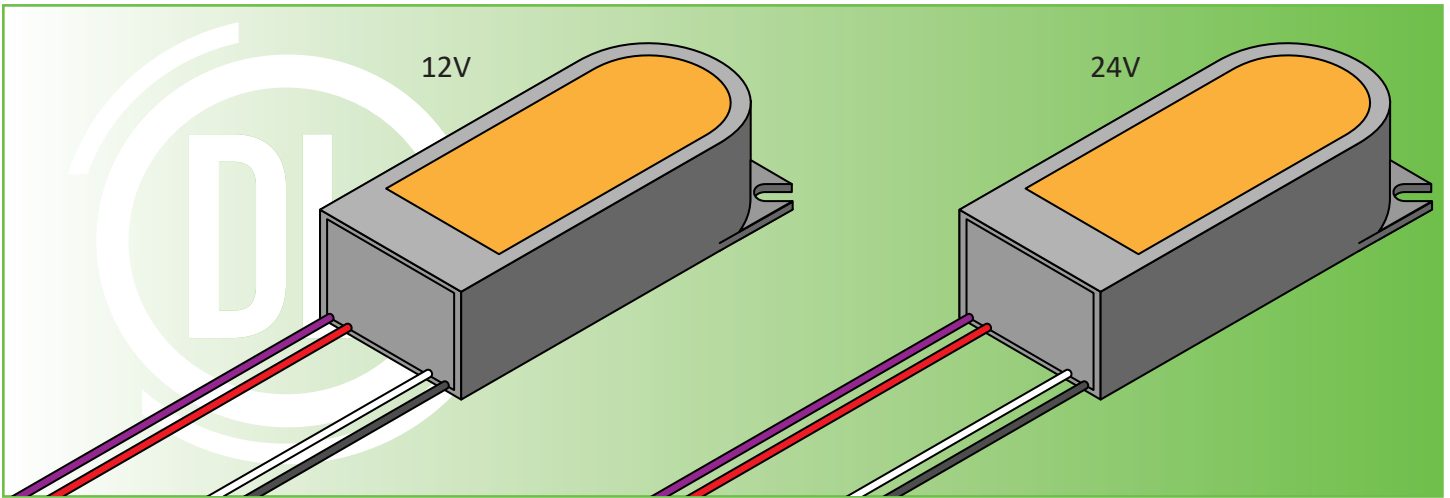




Item #	
Project	



ITEM #	INPUT VOLTAGE	OUTPUT VOLTAGE	WATTAGE
DI-MKD-12V60W	120VAC	12VDC	60W
DI-MKD-24V60W	120VAC	24VDC	60W

COMPATIBLE DIMMERS	
Lutron	DVELV-300P
Lutron	MAELV-600

FEATURES

- For use with 120VAC installations.
- Available in 12VDC or 24VDC output versions.
- Short circuit, over current, over voltage, and over temperature protections
- Class 2
- UL Component Recognized
- 5-Year Warranty

OVERVIEW

The MikroDIM™ 12VDC and 24VDC LED Drivers are an excellent choice to pair with dimmers. These hard-wired drivers are available in multiple voltage and wattage combinations to meet your low-voltage LED lighting needs.

SKU Builder

DI-

-

MKD

-

Model Voltage & Wattage

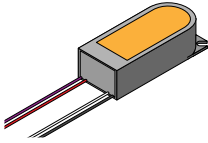
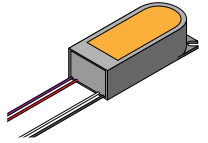
12V60W

24V60W

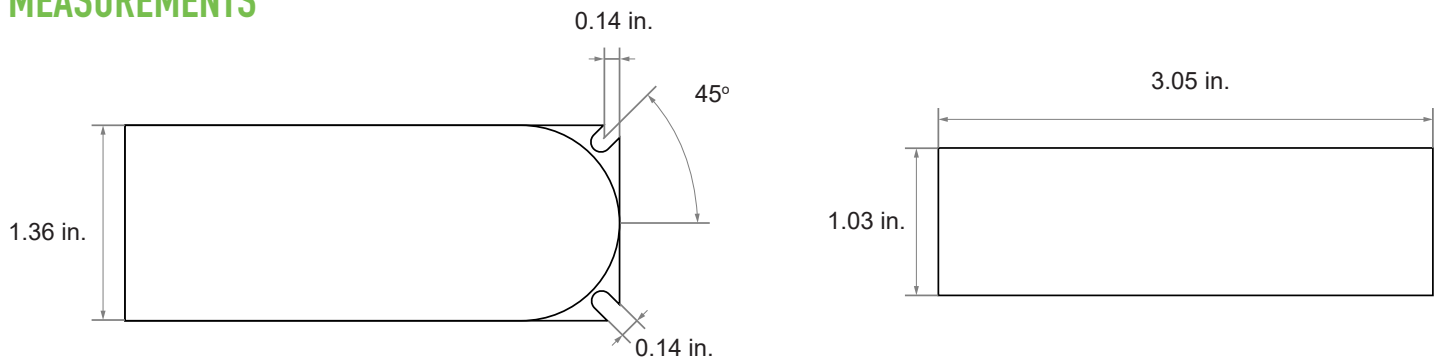
MikroDIM™ ELECTRONIC DIMMABLE DRIVER

SPECIFICATION SHEET

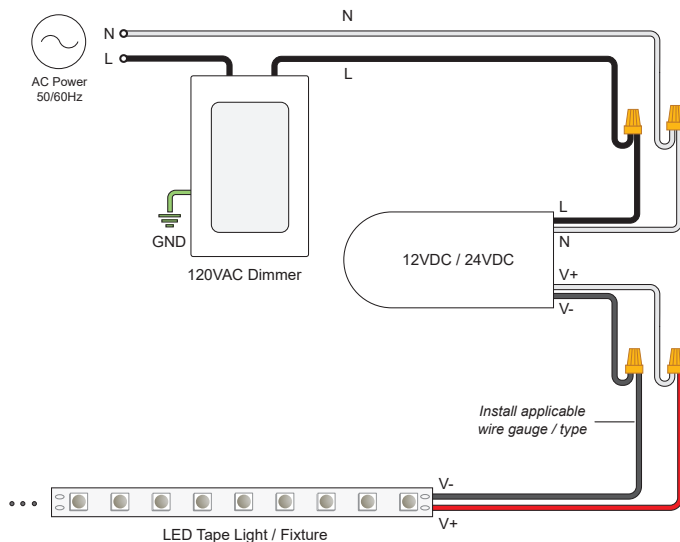
SPECIFICATIONS

	DI-MKD-12V60W	DI-MKD-24V60W
		
Input Voltage¹	120VAC	120VAC
Max Load	120VAC 0.53A 50/60Hz	120VAC 0.53A 50/60Hz
Class 2 Certified	Yes	Yes
Output Voltage	12VDC	24VDC
Ambient Temperature²	-22 - 104°F (-30 - +40°C)	-22 - 104°F (-30 - +40°C)
Operating Temperature³	-4 - 194°F (-20 - +90°C)	-4 - 194°F (-20 - +90°C)
Minimum Load	None	None
Dimmability	Electronic Low Voltage	Electronic Low Voltage
Input Current Full Load	.48A@120VAC	.50A@120VAC
Primary Leads	UL 1015 18/2AWG, AC/L (Black), AC/N (White)	UL 1015 18/2AWG, AC/L (Black), AC/N (White)
Secondary Leads	UL 1007 18/2AWG, V+(Red), V-(Blue)	UL 1007 18/2AWG, V+(Red), V-(Blue)
Voltage Boost	No	No
Circuit Breakers	Short Circuit Protection	Short Circuit Protection
Efficiency / Power Factor Full Load	93% / PF>0.9	93% / PF>0.9
Environment⁴	Indoor / Damp	Indoor / Damp
Working Humidity	5 - 95% RH non-condensing	5 - 95% RH non-condensing
Housing / Cooling	IP20-rated case with silicone-based potting	IP20-rated case with silicone-based potting
Dimensions	3.05 x 1.36 x 1.03 in. (L x W x H)	3.05 x 1.36 x 1.03 in. (L x W x H)
Warranty	5 Years	5 Years
Certifications	E499308 cULus R/C 8750, CAN/CSA C22.2 No. 250.13-14. CE Certified. Class 2.	E499308 cULus R/C 8750, CAN/CSA C22.2 No. 250.13-14. CE Certified.

MEASUREMENTS



SYSTEM DIAGRAM



ADDITIONAL RESOURCES

**MIKRODIM™ ELECTRONIC DIMMABLE DRIVER
INSTALLATION GUIDE**

SAFETY / WARNINGS / DISCLOSURES

1. Install in accordance with national and local electrical code regulations.
2. This product is intended to be installed and serviced by a qualified, licensed electrician.
3. DO NOT modify product beyond instructions or warranty will be void.
4. Turn power OFF at main breaker before servicing or installing this product.
5. Proper heat dissipation will prolong the working lifespan of this product. Install in a well-ventilated area free from explosive gases and vapors.
6. Refer to the 'Static Characteristics Curve' if installing under low input voltage conditions to properly derate the power supply load
7. Refer to the 'Derating Curve' if nearing max. ambient temperature to properly derate the power supply load. Do not install product in an environment outside the listed ambient temperature.
8. Ensure a compatible LED fixture with the correct operating voltage is installed with this product.
9. Drivers in this specification sheet are not compatible with 120VAC dimming controls.
10. To compensate for voltage drop, ensure applicable gauge in-wall rated wire is installed between driver and LED fixture.

WARRANTY

Limited Warranty

The five (5) year limited warranty of this product begins from the date of shipment. The warranty of each item can be found in the 'Specifications' chart under 'Warranty'. This warranty does not include the additional accessories referenced in this specification sheet. Complete warranty details for fixtures and additional accessories are available at www.diodeled.com/limited-warranty/ within the Policies section. For warranty related questions please contact product support.

Consumer's Acknowledgment

Diode LED stands behind its products when they are used properly and according to our specifications. By purchasing our products, the purchaser agrees and acknowledges that lighting design, configuration and installation is a complex process, wherein seemingly minor factors or changes in layout and infield adjustments can have a significant impact on an entire system. Choosing the correct components is essential. Diode LED is able to work with the original purchaser to make an appropriate product selection to the extent of the limited information that the customer can provide, but it is virtually impossible for Diode LED to design a system that foresees every unknown factor. For this reason, this Warranty does not cover problems caused by improper design, configuration or installation issues. Any statement from a Diode LED employee or agent regarding a customer's bill of goods and/or purchase order is NOT an acknowledgment that the products purchased are designed and configured correctly. The purchaser agrees and acknowledges that it is the customer's responsibility to adhere strictly to all information contained in the Product Specification Sheets.

There is often more than one way to design, configure and layout an LED lighting application properly to achieve the same lighting effect. Diode LED strongly recommends that licensed professionals be used in the design and installation of lighting systems that include Diode LED products. The specifications include important information that a designer and installer should carefully review and strictly follow. Qualified designers and certified and/or licensed installers, with access to the final installation environment, customer goals, and Diode LED product specifications can make the requisite decisions appropriate for a successful finished lighting application.



© 2020 Elemental LED, Inc. All rights reserved.

Specifications are subject to change without notice.

Toll Free: 877.817.6028 | Fax: 415.592.1596 | www.DiodeLED.com | info@DiodeLED.com